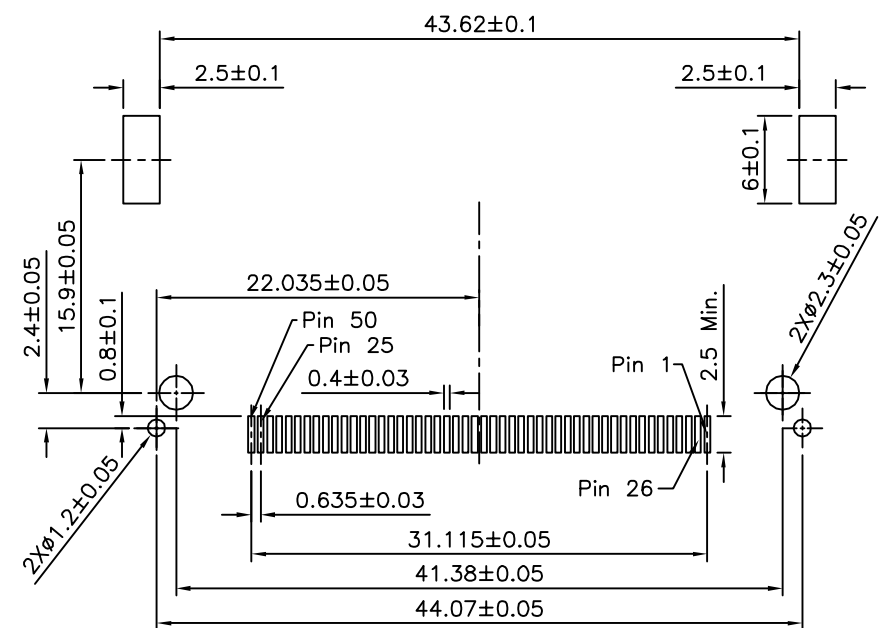
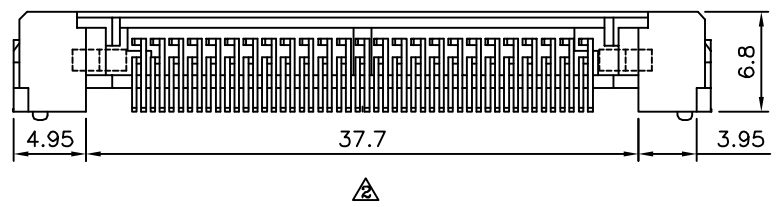


△ SPECIFICATION
1.General Characteristics
 CF Card 50P Header SMT 90° Type 1 Stand Off 1.64mm Normal
2.Material&Finish
 Insulator:LCP+G.F.(UL94V-0),White
 Contacts:Brass Alloy,Gold Plated 5u" On Contact Area, Tin Plated On Solder Tails,Over Nickel
 Mount Ear:Brass,Tin Plated Over All
3.Electrical Characteristics
 Current Rating:1 Amps AC
 Voltage Rating:100V
 Contact Resistance:40 Milliohms Max.
 Insulation Resistance:1000 Megaohms Min.
4.Mechanical Characteristics
 Repeated Insertion/Extraction:10000 Cycles
5.RoHS Compliant



Recommended P.C.B. Layout

AUK A MEMBER OF AUK GROUP
太聯事業股份有限公司
AUK CONTRACTORS CO., LTD.

CATEGORY		APPROVED BY		UNLESS OTHERWISE SPECIFIED TOLERANCES ARE X. ±0.5 .X ±0.3 .XX ±0.2 ANG. ±3°
PART No. CFC50PW111-H		EMILY		
DRAWING No. CFC50PW111-H		CHECKED BY HZF		
SCALE		DRAWING BY SONG		
NONE	REV.	B2	UNIT mm	

NO.	REV.	REVISIONS	CHK	DATE
△ B2		Modify Data	HZF	09/18/2013
△ B1		Modify Data	HZF	04/17/2010
△ B0		NEW RELEASE	INGRID	05/30/2008