

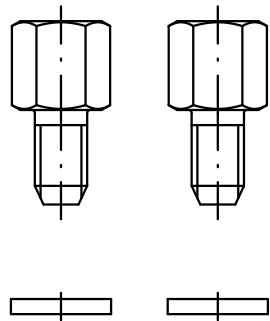
5

4

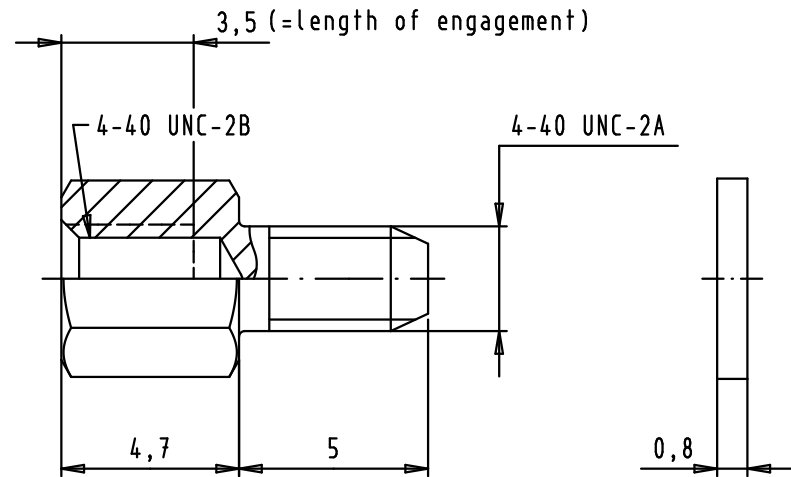
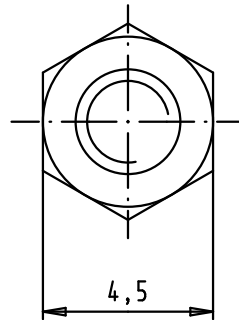
3

2

1





PAIR



Material : Tin plated brass
 Packaging : Pair of screw locks and washers.

2 pcs. are to be ordered per connectors.

				Dat.	Name		Female screw locks, 4-40 UNC/4-40 UNC, washers	Maßstab/ Scale
			Detail.	07/01/04	SH			All Dim. in mm Orig. Size DIN A 4
			Insp.	04/03/11	JB		TB 09 67 002 9007	
EC02951	04/03/11	SC	Stand.					1
EC00323	13/03/09	PK						1
31587								
Mod.	Dat.	Name	HARTING EURL F-95972 Paris					

D

C

B

A