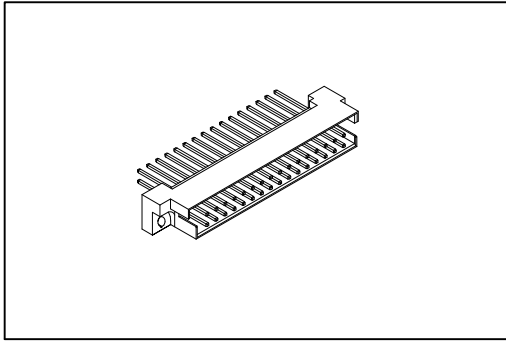


9001 Series

DIN41612 Half Q Type Male



Material:

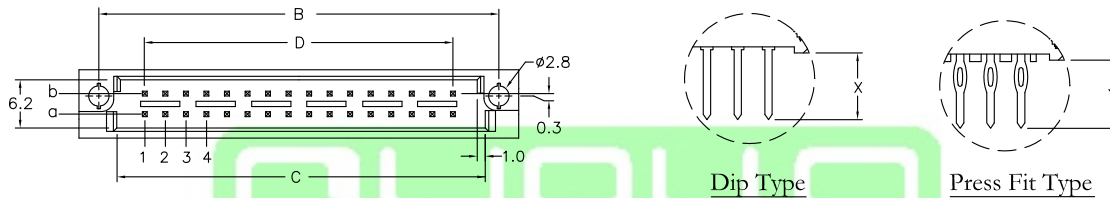
Housing: Thermoplastic Polyester Glass Filled UL94V-0.
 Contacts: Copper Alloy.

Electrical Characteristics:

Current Rating: 2 A.
 Dielectric Withstanding Voltage: AC 1000V.
 Insulator Resistance: 1000MΩ min.
 Contact Resistance: 20mΩ max.
 Operating Temperature: -55°C ~ +125°C.

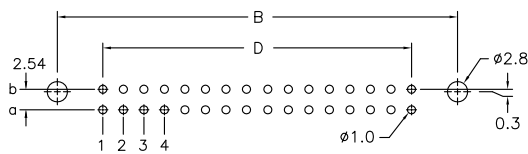
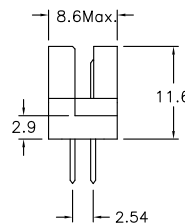
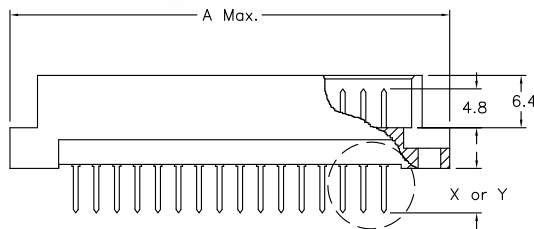
Features:

- * Mates with Female 2Row Half
 9001-36 Half B Type.
 9001-38 Half Q Type.



Dip Type

Press Fit Type



P.C. Board Layout

Length	1	2	W1	W2
X	4.0	2.5	13	17
Y	4.6	6.3	13	17

Dimension				
Position	A	B	C	D
32/16/8	55.0	49.36	44.60	38.10
20/10/5	39.8	34.12	29.36	22.86
Pitch	Position	Rows with Contacts	Contact Arrange	
2.54mm	32	a b		
	20	a b		
	16	a -		
5.08mm	10	a -		
	16	a b		
	10	a b		
	8	a -		
5	a -			

Ordering information

9001-	<u>3</u>	<u>7</u>	<u>32</u>	<u>1</u>	<u>C</u>	<u>00</u>	<u>P</u>	<u>L1</u>	<u>A</u>
Series	3: 2.54mm 4: 5.08mm	7: Male	Position	1: Dip Length 2: Dip Length W1: Dip Length W2: Dip Length	C: Selective Gold Plated	00: G/F	Blank: Dip P: Press Fit	Blank: W/O Lock L1: With Lock See Page CA03	A: Tray Package