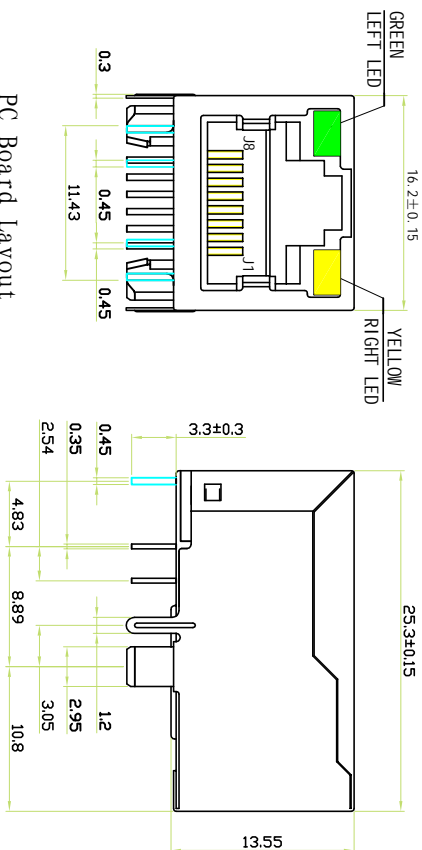
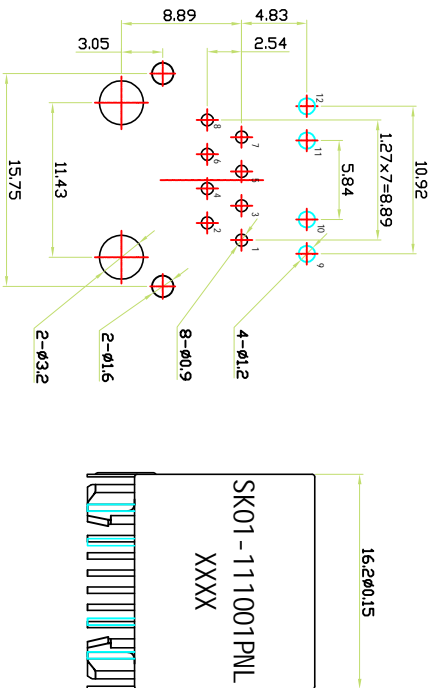


4310-KVCS

1、MECHANICAL



PC Board Layout



ORDER INFORMATION:
SK02-111001PML-(V/N)
A B C D E F

- A: IT STANDS FOR THE DIFFERENT RJ45 DESIGNING OF COMPANY, SUCH AS "SK" STANDS FOR COMPANY BUT "XX" STANDS FOR THE SERIES NUMBER OF DIFFERENT PRODUCTS.
- B: THE PARTS ARE SINGLE OR MULTIPORTS: SUCH AS SK01-11XXXX, IT MEANS 1X1 SINGLE PORT, SK01-21XXXX MEANS 2X1 OR 1X2, IT IS A DUAL PORTS RJ45 FILTERED CONNECTOR. "G" THE MEAN IS 1000BASE REQUIREMENT.
- C: TELLS IT IS A LEDS VERSION OR NOT: "I" MEANS WITH LEDS, "O" OR ELSE IS WITHOUT LEDS.
- D: IT STANDS FOR THE PARTS S SERIES NO.
- E: NI=ROHS COMPLAINT.
- F: CONTACT PLATING CODE: NORMAL TYPE IS NO MARK, IT STANDS THANDS THE CONTACT AREA OF CONTACT PIN IS 6U" GOLD PLATING, MORE THAN 6U" NEED MARK 15 OR 30 OR 50, ETC.

REV. I S I O N S		REV. NO.	DATE
REV.	DESCRIPTION		
A	FIRST RELEASE		2010.11.22



GENERAL SPECIFICATION DESCRIPTION

- ◆ 10/100/1000 BASE-TX RJ45 1X1 TAB-UP WITH LEDS INTEGRATED MAGNETICS CONNECTOR (ICM).

FEATURES AND BENEFITS

- ◆ ROHS PEAK WAVE SOLDER TEMPERATURE RATING 260° C.
- ◆ RJ45 1X1 8-PIN WITH INTERNAL MAGNETIC;
- ◆ SUITABLE FOR CAT5 AND CAT6 FAST ETHERNET CABLE OR BETTER UTP.
- ◆ INTERNAL MAGNETICS: 100% ELECTRONICALLY TESTED FOR HI POT AND FUNCTIONALITY.

ELECTRICAL PERFORMANCE SUMMARY

- ◆ MEETS IEEE802.3 SPECIFICATION AND 350UH MINIMUM OCL WITH 8mA BIAS CURRENT.
- ◆ HIGH PERFORMANCE FOR MAXIMUM EMI SUPPRESSION.

TEMPERATURE PERFORMANCE

- ◆ STORAGE TEMPERATURE RANGE: -25° C TO +85° C.
- ◆ OPERATION TEMPERATURE RANGE: 0° C TO +70° C.

MATERIAL SPECIFICATION

- ◆ SHIELD: BRASS, 0.2mm THICKNESS WITH NICKEL PLATED.
- ◆ PLASTIC: HOUSING, PBT/PA6T.
- ◆ SOLDERING MATERIAL: 99.3%Sn0.3%Cu.
- ◆ CONTACT: PHOSPHOR BRONZE, 0.35mm THICKNESS, HARD GOLD PLATED OVER TIN GOLD PLATING:

- < 3 μ " INCH 3 μ " INCH 6 μ " INCH
- 15 μ " INCH 30 μ " INCH 50 μ " INCH

dimension	TOLERANCE RATE		
	A	B	C
0-4	0.5	0.10	0.20
4-16	0.08	0.15	0.50
16-64	0.12	0.25	0.50
64-250	0.25	0.40	0.80

SAK SAK ELECTRONICS CO., LTD

TITLE: 10/100/1000 BASE-TX 1X1
TAB-UP RJ45 WITH LED

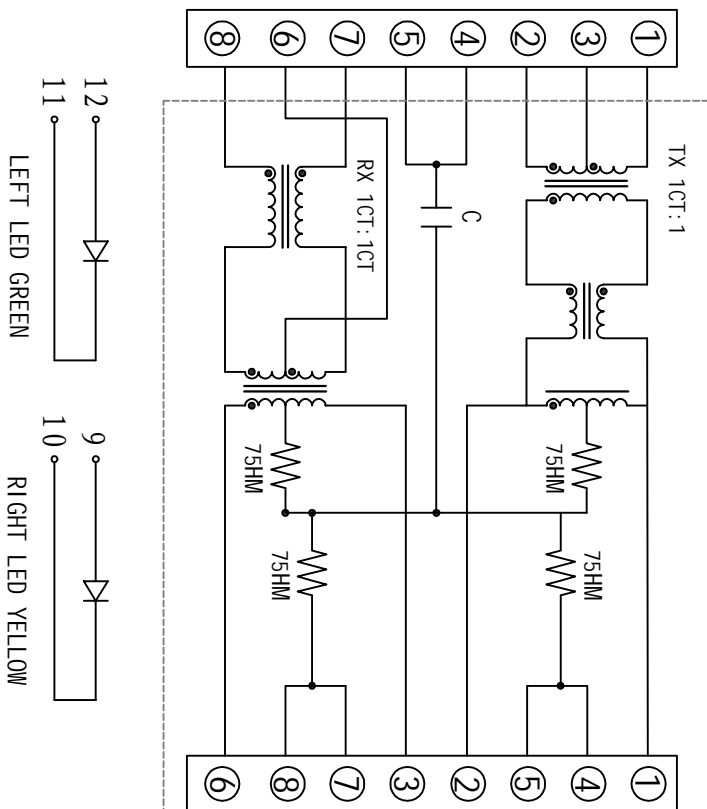
APPROVALS		Date	Page	REV: A	DWG NO:
DRAWN BY:	LongZou	2010.11.22	1		CSAK-0134
PROJ. ENG:	SkyGuo	2010.11.22	Total		
APPROVED BY:			2		

old No.
original No.
date
sign

PART NO:
SK01-111001PML

2、ELECTRONICAL

ELECTRICAL SPECIFICATIONS



- ◆ ALL TEST CONDITIONS@25°C UNLESS OTHERWISE NOTED.
- ◆ TURN RATIO:
TX, SECONDARY : PRIMARY= 1CT: 1 ± 3%.
RX, SECONDARY : PRIMARY= 1CT: 1CT ± 3%.
- ◆ OCL: 350uH MIN, 8mA DC BIAS CURRENT.
- ◆ INSERTION LOSS: 1-100MHZ-1.0dB MAX.
- ◆ RETURN LOSS: 1MHZ TO 10MHZ : -18dB MIN.
10MHZ TO 30MHZ : -16dB MIN.
30MHZ TO 60MHZ : -14dB MIN.
60MHZ TO 80MHZ : -12dB MIN.
80MHZ TO 100MHZ : -10dB MIN.
- ◆ CROSSTALK: 1MHZ TO 100MHZ : -35dB MIN.
- ◆ COMMON MODE REJECTION: 1-100MHZ : -35dB MIN.
- ◆ HIPOT: C=1500V AC 1mA 1S.
- ◆ CAPACITOR: 1000pF ± 25% 2KV.
- ◆ RESISTANCE: 75OHMS ± 20%.
- ◆ RESISTANCE OF COIL: 1.8OHMS MAX, 0.25OHMS MIN.
- ◆ LEFT LED COLOR: GREEN; RIGHT LED COLOR: YELLOW.

ORDER INFORMATION:

SK02-111001P-NL-(X/N)
A B C D E F

- A: IT STANDS FOR THE DIFFERENT R145 DESIGNING OF COMPANY, SUCH AS "SK" STANDS FOR COMPANY
- BUT "XX" STANDS FOR THE SERIES NUMBER OF DIFFERENT PRODUCTS.
- B: THE PARTS ARE SINGLE OR MULTI-PORTS: SUCH AS SK01-11XXXX, IT MEANS 1X1 SINGLE PORT, SK01-21XXXX MEANS 2X1 OR 1X2, IT IS A DUAL PORTS R145 FILTERED CONNECTOR. "C" THE MEANS 1000BASE REQUIREMENT.
- C: TELLS IT IS A LEDS VERSION OR NOT. "I" MEANS WITH LEDS, "0" OR ELSE IS WITHOUT LEDS.
- D: IT STANDS FOR THE PARTS'S SERIES NO.
- E: NL=ROHS COMPLAINT.
- F: CONTACT PLATING CODE: NORMAL TYPE IS NO MARK, IT STANDS THANDS THE CONTACT AREA OF CONTACT PINS 6U" GOLD PLATING, MORE THAN 6U" NEED MARK 15 OR 30 OR 50. ETC.

SAK ELECTRONICS CO., LTD		TITLE: 10/100/1000 BASE-TX 1x1 TAB-UP R145 WITH LED	
APPROVALS		Page	
DRAWN BY: LongZou	Date: 2010.11.22	2	
PROJ. ENG: SkyGuo	Date: 2010.11.22	Total 1	
APPROVED BY:	REV: A	DWG NO:	CSAK-0134