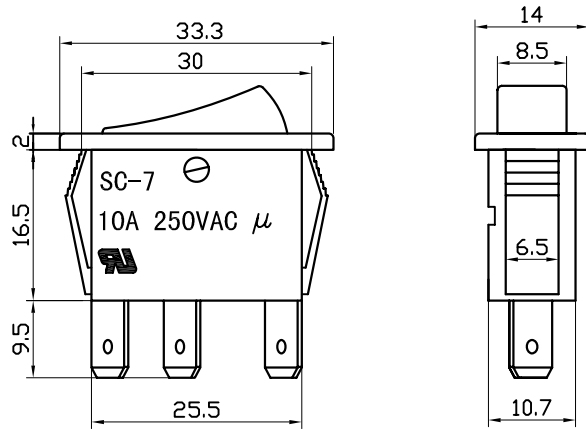


SERIES SC-7 SINGLE POLE ROCKER SWITCHES



SC-7-3VAH00Q

APPLIANCE CUT-OUT



single pole $x = \text{panel thickness}$

	X	Y	Z
	0.75...1.25	30.5-0.1	10.8+0.1
	1.25...2	30.7-0.1	10.8+0.1
	2...3	31.2-0.1	10.8+0.1

Electrical rating	10A 250V~ T90/55 1E4
Electrical life	1E4
Mechanical life	5E4
Contact resistance	< 100m Ω
Insulation resistance	> 100M Ω
High voltage resistance	< 3mm 750V
Resistance to tracking	PTI 250
Contact gap DT with centre-OFF	< 3mm(μ)
Protection type	IP00
Ambient temperature	0 $^{\circ}$ C...+90 $^{\circ}$ C
Flammability	UL94V-0
Heat and fire resistance	850 $^{\circ}$ C
Material housing and rocker	PA/PC
Contacts	Ag
Terminals	silver-plated
Temperature rise at the terminals (according to electrical life endurance)	max.30K(UL1054) max.55K(EN61058-1)
Push-on force of terminals	\leq 700g
Approval marks	
Suitable for appliances of protection class II	

Contact configuration(1)

Contact configuration	function	code
on-off		1
on-on		2
on-off-on		3
on-off(momentary on)		4
on-off(momentary off)		5
on-off-on(momentary 1 side)		9
on-off-on(momentary 2 side)		13

Terminals(2)

Type of terminal	versions	code
quick-connect terminal 4.8		H
solder terminal		C

Actuator Marking(3)

versions	code	versions	code
	G	ON	R
	P	OFF	Q

Examples of common port Numbers and Descriptions

Part Number	Circuitry	Switch Function	Terminal Type	Actuator/Housing Color	Legend Marking
SC-71VAH00G		on-off	(4.8mm)Quick-Connect	black/black	
SC-71VAC20P		on-off	solder terminal	red/black	
SC-73VAH00Q		on-off-on	(4.8mm)Quick-Connect	black/black	