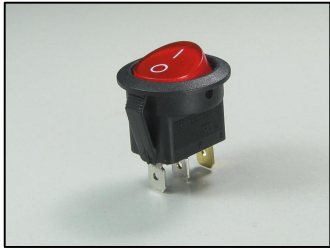


SC777 ROCKER SWITCHES

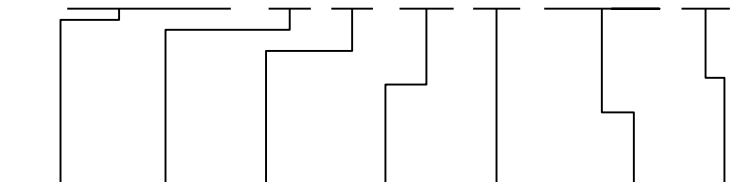


SC777-6VBH-20G



SC777-2VBH-00

SC777-1 V B H-0 0 G



Series Function Actuator Housing Terminal Color Print

Actuator(4)		
Actuator shape	Versions	Code
Softline Matt		V
Lit Window Matt		M
LED Window Matt		F

Contact Configuration(1)		
Contact Configuration	Function	Code
ON-OFF		1
ON-ON		2
ON-OFF-ON		3
ON-OFF (momentary ON)		4
ON-OFF (momentary ON)		5
ON-OFF (Lit switched neutral)		6
ON-OFF LED (momentary ON)		7
ON-ON (momentary 1 side)		9
ON-ON (momentary 2 side)		13

Terminals(2)		
Type of terminal	Versions	Code
Quick-connect terminal 4.8mm		H
solder terminal		C

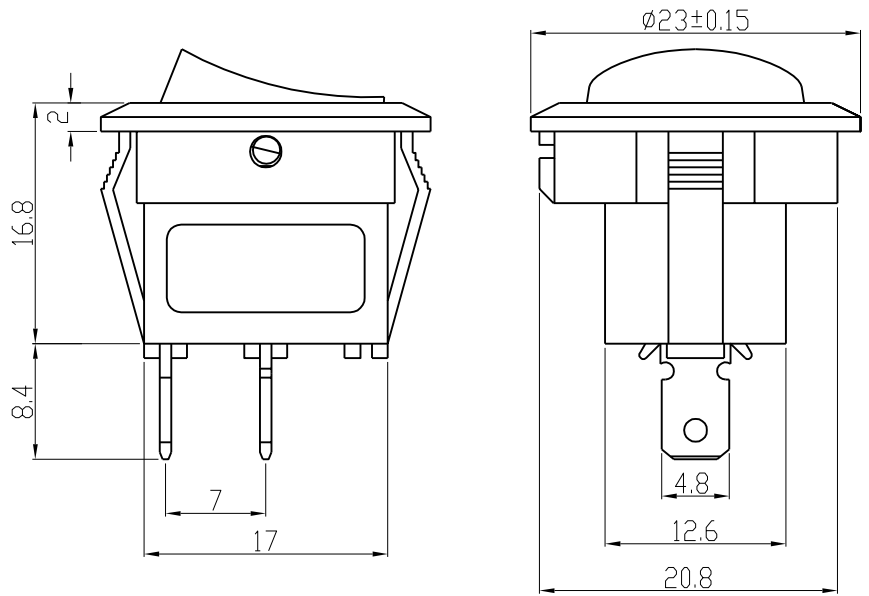
Actuator Marking(3)			
Versions	Code	Versions	Code
	G		R
	P		Q

Examples of common part numbers and descriptions					
Part Number	Circuitry	Switch Function	Terminal Type	Actuator/Housing Color	Legend Marking
SC777-1VAH-00G		ON-OFF	Quick-connect terminal 4.8mm	black/black	
SC777-1VAC-20P		ON-OFF	solder terminal	red/black	
SC777-3VAH-00Q		ON-OFF-ON	Quick-connect terminal 4.8mm	black/black	

SC777 ROCKER SWITCHES



SC777-3VBH-00Q



SC777-1VBH-00

APPLIANCE CUT-OUT

Single Pole

X	Y	Z
0.75~1.25	20.2 ⁺⁰ _{-0.1}	20.7 ^{+0.1} ₋₀
1.25~2	20.4 ⁺⁰ _{-0.1}	20.7 ^{+0.1} ₋₀
2~3	20.8 ⁺⁰ _{-0.1}	20.7 ^{+0.1} ₋₀



SC777-6VAH-20G



Cap protect water

Electrical rating	12(4)A 250VAC T90/55 1E4 12A 125VAC 12A 250VAC
Electrical life	1E4
Mechanical life	5E4
Contact resistance	< 100m Ω
Insulation resistance	> 100M Ω
High voltage resistance	750VAC
Resistance to tracking	PTI 175
Protection type	IP20
Ambient temperature	0°C...+90°C
Flammability	UL94V-0
Heat and fire resistance	850°C
Mechanical housing and Actuator	PA or PC
Contacts	Ag or AgCdO
Terminals	Copper Alloy
Temperature rise at the terminals (according to electrical life endurance)	max:30K (UL1054) max:55K (IEC61058-1)
Push-on force of terminals	≥ 80 N
Approval marks	
Suitable for appliances of protection class II	