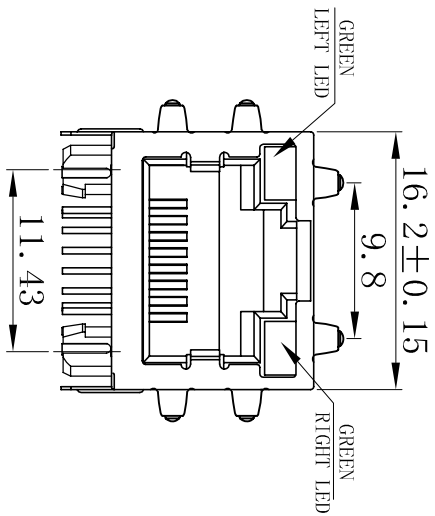
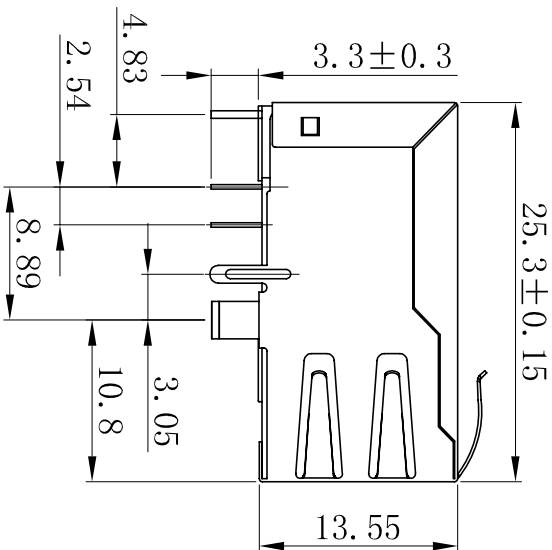
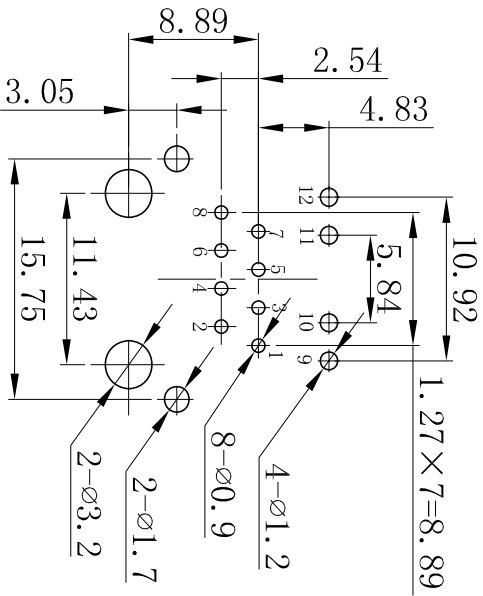


# Mechanical:



PC Board Layout



## NOTES:

### 1、Electrical

Current Rating: 1.5 MPS  
 Voltage Rating: 125V AC  
 Insulation Resistance:  $\geq 1000M\Omega$   
 Withstanding Voltage: AC 1000V RMS  
 50Hz or 60Hz 1 Min  
 Contact Resistance:  $\leq 30M\Omega$   
 Plastic Point Type:



Type: A: Gross Point



B: Round Point

### 2、Mechanical

Mating Force: 5~25N  
 Retention Strength:  $\geq 76N$   
 Durability:  $\geq 750$  TIMES

### 3、Material

Housing: PBT filled with Fiberglass  
 Insert: PBT filled with Fiberglass  
 Shielding: 0.2mm Thickness Copper alloy with Tin Plated  
 Contact: Phosphor Bronze, Gold Plated over Nickel  
 Gold Plating: 50 $\mu$ "inch

4、Working Temperature: -40 $^{\circ}C$  ~ +70 $^{\circ}C$

Dimension	TOLERANCE RATE		
	A	B	C
0~4	0.05	0.10	0.20
4~16	0.08	0.15	0.30
16~64	0.15	0.25	0.50
64~250	0.25	0.40	0.80

## Order Information:

SK01-111002NL-(X/N)  
 A B C D E F

- A: It stands for the RJ45 designer Such as SK or Others, 01 or 02 stands for as following, 01=Tab Up, 02=Tab Down
- B: The parts are single port or multi-ports: such as SK01-11xxxx, it means 1x1 single port, SK01-21xxxx, means 2x1 or 1x2, it is a dual ports RJ45 filtered connector.
- C: Tells it is a LEDs version or not, "1" means with LEDs, "0" or else there is without LEDs.
- D: It stands for the Parts' series No.
- E: NL=RoHS Compliant.
- F: Contact Plating Code: Normal type is No Mark, it stands the Contact Area of Contact Pin is 6 $\mu$ " Gold Plating. More than 6 $\mu$ " need Mark 15 $\mu$ " or 30 $\mu$ " or 50 $\mu$ ", etc.

Design		PART NO:	SK01-111002NL
Check			
Craft		Phase Weight	Quality Proportion
Standard		A	
Approve		Page 3	Total 4

<b>SAK ELECTRONICS</b>	
TITLE: 10/100 BASE 1X1	
TAB-UP RJ45 WITH INTEGRATED	
MAGNETICS WITH LED, WITH EMI	
DWG NO:	XG1-0211-01

