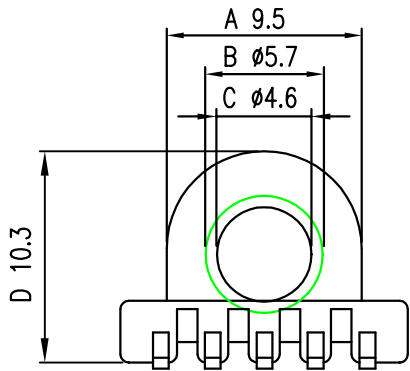
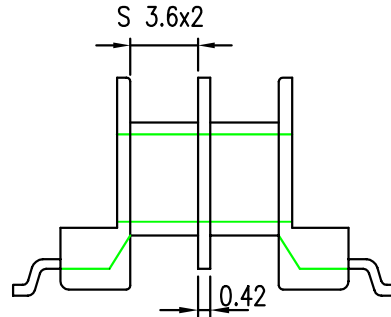




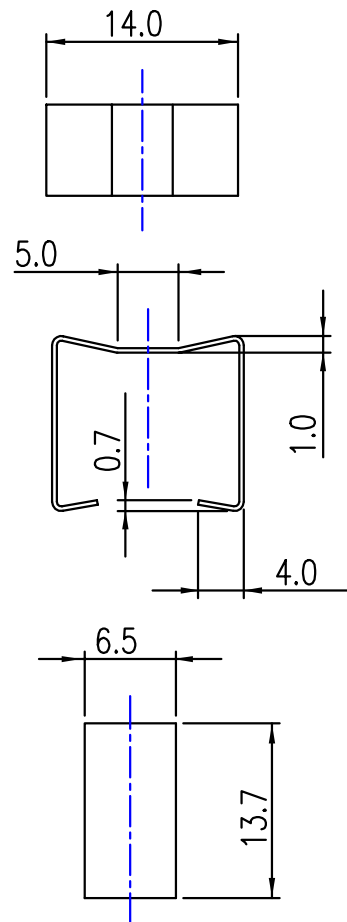
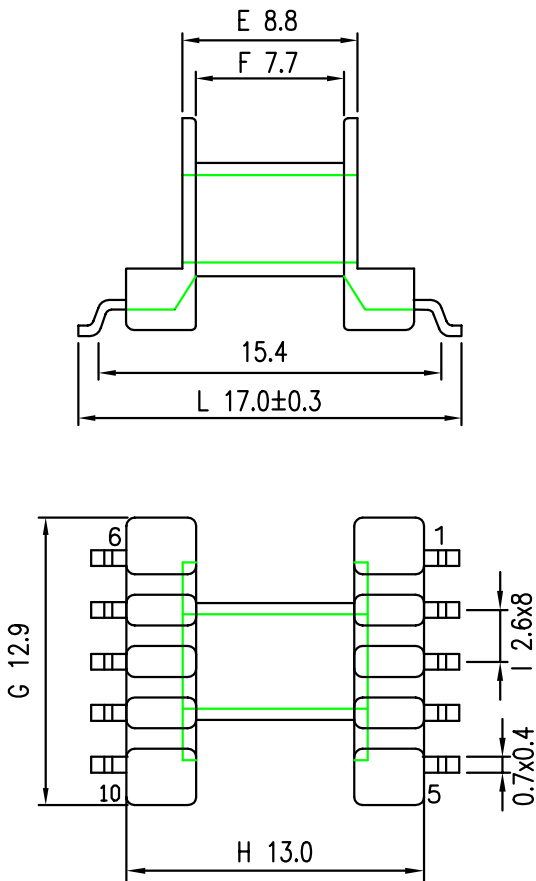
TPI NO.: SEP1301



TPI NO.: SEP1302



TPI NO.: SEP1301-1



DATE	REVISED STORY	MODEL : EP-13-10PIN-1SEC SMD (TPI NO.:SEP1301) EP-13-10PIN-2SEC SMD (TPI NO.:SEP1302) EP-13 CLAMP (TPI NO.:SEP1301-1)		
6/01'02	RELEASED THE NEW DRAWING SPEC.	BOBBIN MATERIAL : PHENOLIC RESIN UL94V-0 PIN MATERIAL : PHOSPHORUS BRONZE (TIN PLATED) CLAMP MATERIAL : STD SUS301 0.3t		
		DATE : June. 01,2002	REV. : A	TOLERANCE : .XXX±0.08 .XX ±0.1 .X ±0.2