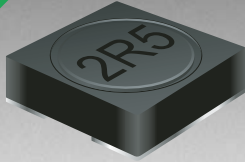


*RoHS COMPLIANT



BOURNS®

Features

- Height of 3.0 mm max.
- Current rating up to 2.8 A
- RoHS compliant*

Applications

- Input/output of DC/DC converters
- Power supplies for:
 - Portable communication equipment
 - Camcorders
 - LCD TVs
 - Car radios

SRR6028 Series - Shielded SMD Power Inductors

Electrical Specifications

Bourns Part No.	Inductance 100 kHz		Q Ref.	Test Frequency (MHz)	SRF Typ. (MHz)	DCR Max. (mΩ)	I _{rms} (A)	I _{sat} (A)
	(μH)	Tol. %						
SRR6028-2R5Y	2.5	±30	8.5	7.96	70	25	2.80	3.00
SRR6028-3R0Y	3.0	±30	9	7.96	45	28	3.00	2.60
SRR6028-3R3Y	3.3	±30	10	7.96	43	28	2.50	2.60
SRR6028-3R9Y	3.9	±30	9	7.96	47	32	2.45	2.30
SRR6028-5R0Y	5.0	±30	7.5	7.96	50	36	2.40	2.10
SRR6028-6R0Y	6.0	±30	9	7.96	48	40	2.30	2.00
SRR6028-7R3Y	7.3	±30	6	7.96	38	52	2.20	1.85
SRR6028-8R6Y	8.6	±30	8	2.52	33	56	2.10	1.82
SRR6028-100Y	10	±30	11	2.52	29	65	2.00	1.70
SRR6028-120Y	12	±30	10	2.52	24	70	1.90	1.50
SRR6028-150Y	15	±30	9.5	2.52	23	78	1.70	1.30
SRR6028-180Y	18	±30	9	2.52	21	85	1.50	1.10
SRR6028-220Y	22	±30	8.5	2.52	19	115	1.40	1.08
SRR6028-270Y	27	±30	9	2.52	19	130	1.20	1.00
SRR6028-330Y	33	±30	10	2.52	14	155	1.15	0.92
SRR6028-390Y	39	±30	10	2.52	17	195	1.00	0.75
SRR6028-470Y	47	±30	10	2.52	11	235	0.92	0.72
SRR6028-560Y	56	±30	10	0.796	15	260	0.85	0.65
SRR6028-680Y	68	±30	11	0.796	10.5	300	0.80	0.60
SRR6028-820Y	82	±30	9	0.796	14	400	0.70	0.56
SRR6028-101Y	100	±30	8.5	0.796	7	500	0.58	0.55
SRR6028-151Y	150	±30	12	0.796	6.8	680	0.50	0.42
SRR6028-221Y	220	±30	15	0.796	5.8	820	0.45	0.36
SRR6028-331Y	330	±30	11	0.796	3.8	1400	0.37	0.27
SRR6028-471Y	470	±30	11	0.796	3.3	2100	0.27	0.22
SRR6028-681Y	680	±30	13	0.796	2.9	3100	0.22	0.20
SRR6028-102Y	1000	±30	32	0.252	2.6	4500	0.15	0.17

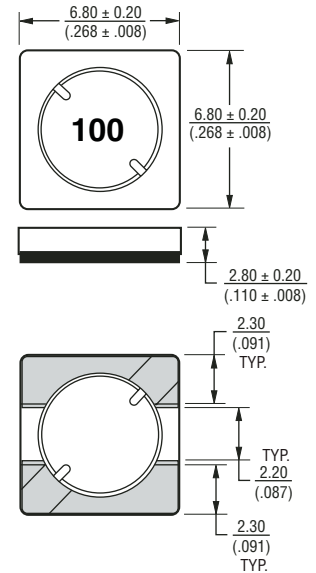
General Specifications

Test Voltage0.1 V, 100 KHz
 Reflow Soldering230 °C; 50 sec max.
 Operating Temperature ...-40 °C to +125 °C
 (Temperature rise included)
 Storage Temperature...-40 °C to +125 °C
 Resistance to Soldering Heat
260 °C for 10 sec.

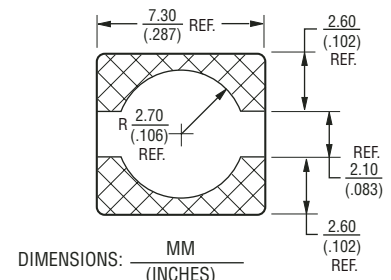
Materials

Core MaterialFerrite
 WireEnameled Copper
 AdhesiveEpoxy Resin
 TerminalAg/Ni/Sn
 Rated CurrentInd. drop of 35 % typ.
 at I_{sat}
 Temperature Rise30 °C typ. at I_{rms}
 Packaging500 pcs. per reel

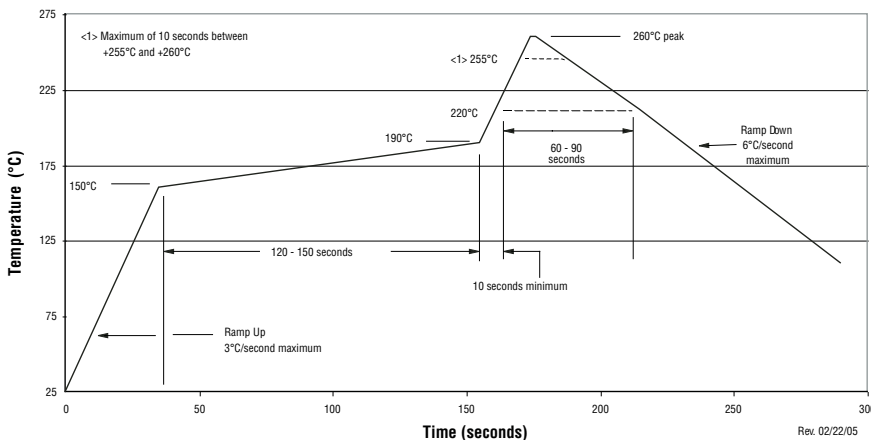
Product Dimensions



Recommended Layout



Soldering Profile

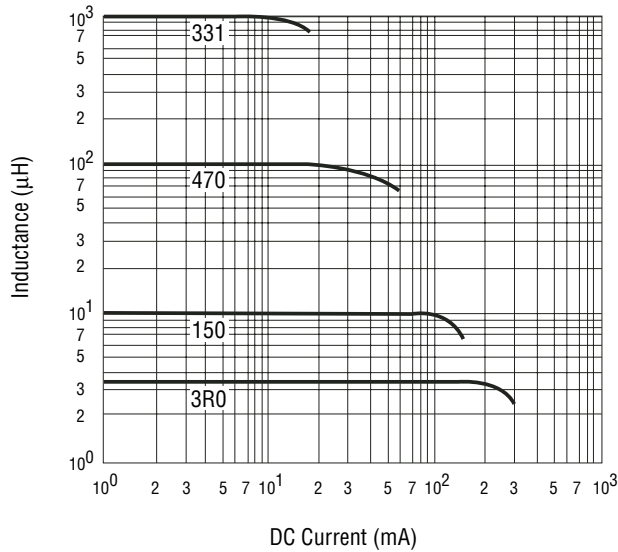


*RoHS Directive 2002/95/EC Jan 27 2003 including Annex
 Specifications are subject to change without notice.
 Customers should verify actual device performance in their specific applications.

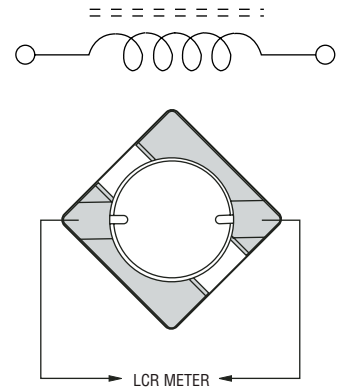
SRR6028 Series - Shielded SMD Power Inductors

BOURNS®

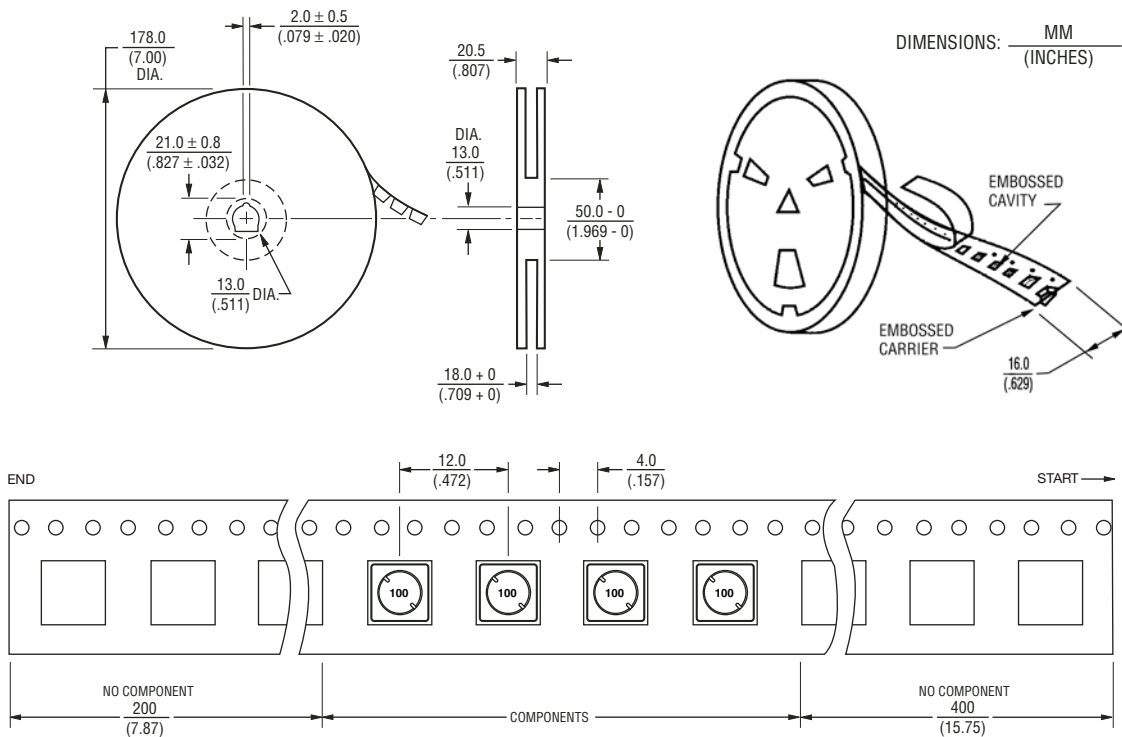
Inductance vs. Current



Electrical Schematic



Packaging Specifications



USER DIRECTION OF FEED →
 QTY: 500 PCS. PER REEL

REV. 10/08

Specifications are subject to change without notice.
 Customers should verify actual device performance in their specific applications.