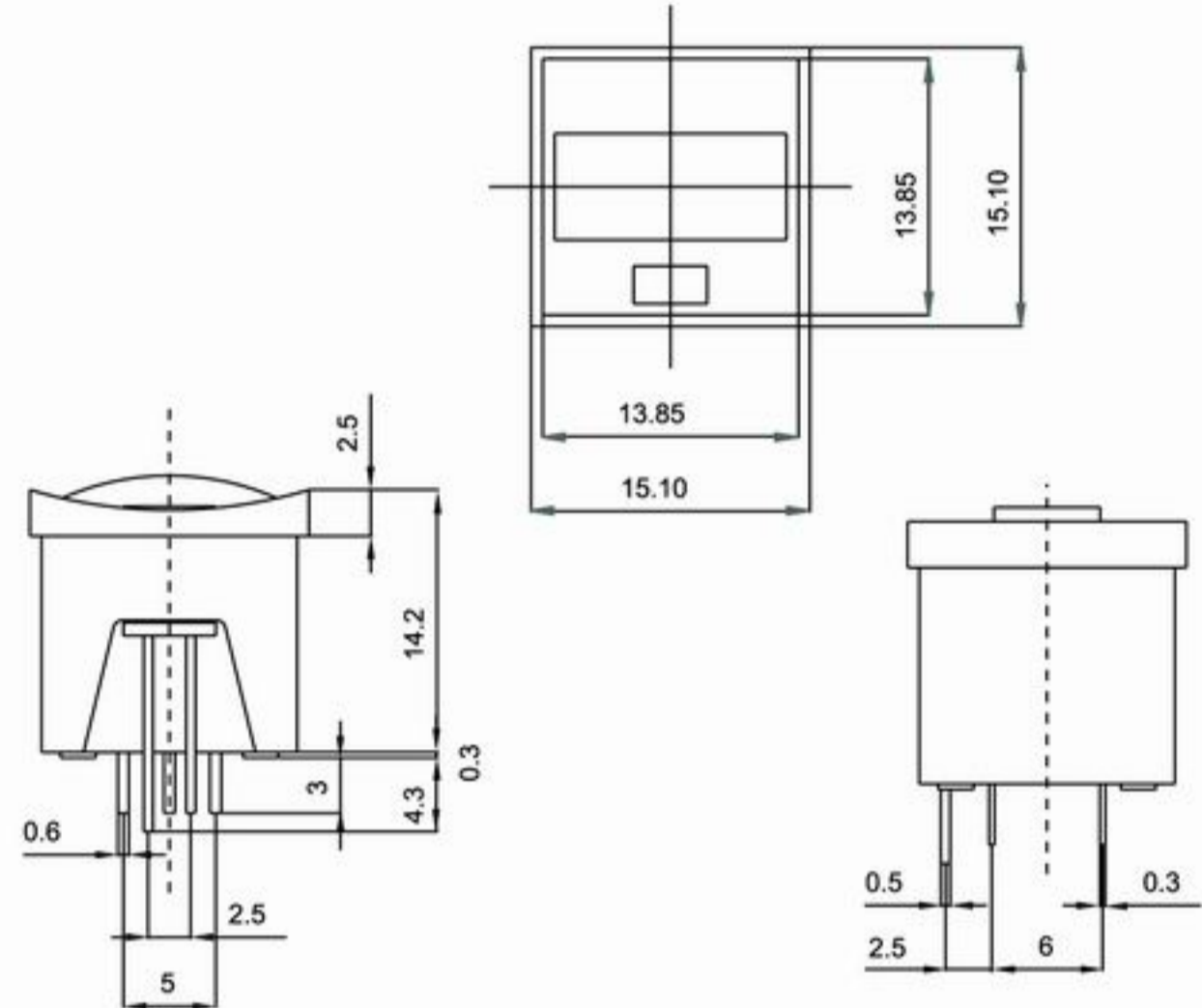




P2 SERIES

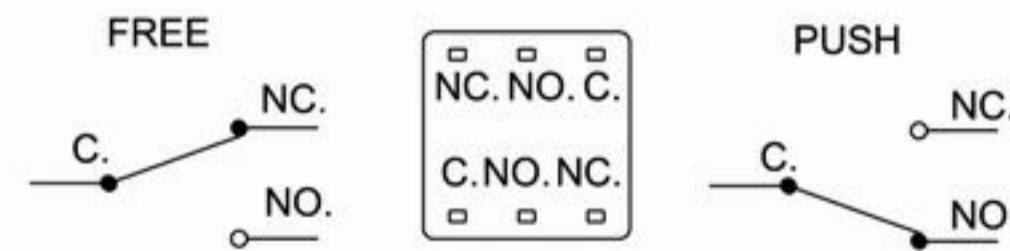
DIMENSIONS (Unless otherwise specified, a tolerance of ± 0.4 mm applies to all dimensions.)



SPECIFICATIONS

Insulation Resistance (at 500VDC/minute) Min. 100M Ω
 Storage Temperature range -25°C to 65°C
 Storage Humidityat 40°C, Max. 85% R.H
 Operating Temperature range 0°C to 55°C
 Electrical Service LifeMin. 10,000 operations
 Electrical Operating Frequency10 operations per minute
 Mechanical Service Life Min. 100,000 operations
 Mechanical Operating Frequency 30 operations per minute
 Travel Pre travel Max.1.5mm, Total travel 2.5 \pm 0.5mm

CONTACT CONFIGURATION



RATING

0.1A 30 VDC

APPLICATION

Computer, Alarm, Coin-op phone, Auto garage door

ORDERING INFORMATION

P	2	0	S	L	G	R	Z
SERIES PREFIX		CODE	CODE	CODE	CODE	CODE	ROHS CODE
		TYPE	OPERATING FORCE	TOP BUTTON TYPE	CASE TYPE	LED COLOR	
		0 NON LOCK	NON LOCK 150 \pm 50g	R RED	G GRAY	R RED	
		1 LOCK	LOCK 180 \pm 50g	L BLUE	B BLACK	E GREEN	
		2 NON LOCK CLICK		E GREEN		Y YELLOW	
				Y YELLOW			WITHOUT LED
				N BROWN			
				O ORANGE			
				B BLACK			
				G GRAY			