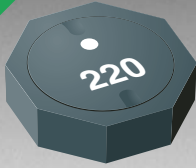


*RoHS COMPLIANT



BOURNS®

Features

- Available in E6 series
- Unit height of 2.8 mm
- Current up to 4.5 A
- Lead free
- RoHS compliant*

Applications

- Input/output of DC/DC converters
- Power supplies for:
 - Portable communication equipment
 - Camcorders
 - LCD TVs
 - Car radios

SRU8028 Series - Shielded SMD Power Inductors

Electrical Specifications

| Bourns Part No. | Inductance 100 KHz | | Q Ref. | Test Frequency (MHz) | SRF Min. (MHz) | RDC (mΩ) | I rms Max. (A) | I sat Typ. (A) |
|-----------------|--------------------|--------|--------|----------------------|----------------|----------|----------------|----------------|
| | (μH) | Tol. % | | | | | | |
| SRU8028-2R5Y | 2.5 | ± 30 | 15 | 7.96 | 65.0 | 13.6 | 4.50 | 4.20 |
| SRU8028-3R3Y | 3.3 | ± 30 | 12 | 7.96 | 60.0 | 17.5 | 3.60 | 3.50 |
| SRU8028-4R7Y | 4.7 | ± 30 | 15 | 7.96 | 50.0 | 20.0 | 3.70 | 3.20 |
| SRU8028-8R2Y | 8.2 | ± 30 | 17 | 7.96 | 37.0 | 54.0 | 2.60 | 2.30 |
| SRU8028-6R8Y | 6.8 | ± 30 | 13 | 7.96 | 40.0 | 34.0 | 2.80 | 2.50 |
| SRU8028-100Y | 10.0 | ± 30 | 22 | 2.52 | 35.0 | 45.0 | 2.60 | 2.20 |
| SRU8028-120Y | 12.0 | ± 30 | 21 | 2.52 | 30.0 | 76.0 | 2.20 | 2.00 |
| SRU8028-150Y | 15.0 | ± 30 | 20 | 2.52 | 25.0 | 66.0 | 2.00 | 1.70 |
| SRU8028-220Y | 22.0 | ± 30 | 22 | 2.52 | 20.0 | 106 | 1.60 | 1.50 |
| SRU8028-330Y | 33.0 | ± 30 | 20 | 2.52 | 15.0 | 147 | 1.30 | 1.10 |
| SRU8028-470Y | 47.0 | ± 30 | 14 | 2.52 | 12.0 | 177 | 1.20 | 1.00 |
| SRU8028-680Y | 68.0 | ± 30 | 23 | 2.52 | 9.0 | 317 | 0.85 | 0.80 |
| SRU8028-101Y | 100.0 | ± 30 | 35 | 0.796 | 8.0 | 390 | 0.75 | 0.70 |

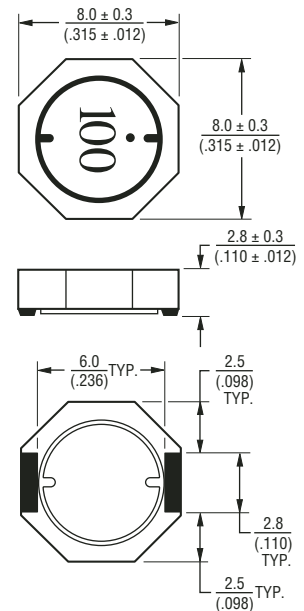
General Specifications

Test Voltage.....1 V
 Reflow Soldering ...230 °C, 50 sec. max.
 Operating Temperature -40 °C to +125 °C
 (Temperature rise included)
 Storage Temperature..-40 °C to +125 °C
 Resistance to Soldering Heat
260 °C for 10 sec.

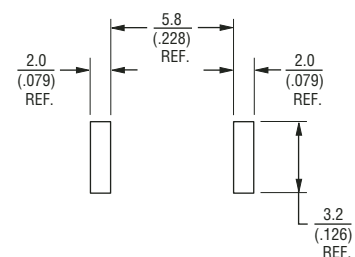
Materials

Core.....Ferrite DR and RI core
 Wire.....Enameled copper
 Base.....LCP E4008
 Terminal.....Ag/Ni/Sn
 Rated Current
Ind. drop 35 % typ. at Isat
 Temperature Rise
40 °C max. at rated I_{rms}
 Packaging.....1500 pcs. per reel

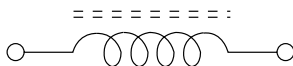
Product Dimensions



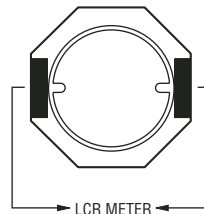
Recommended Layout



Electrical Schematic



Inductor Connection



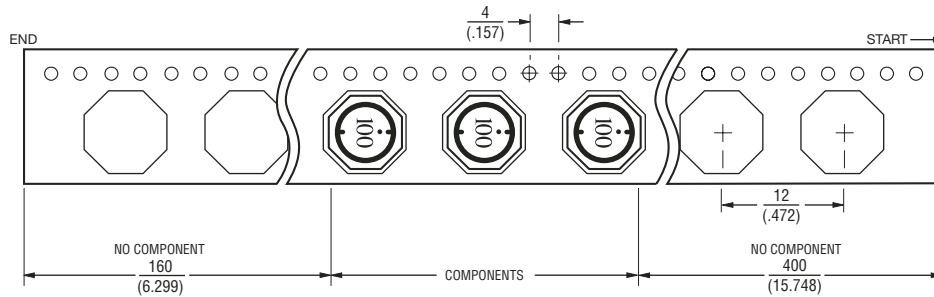
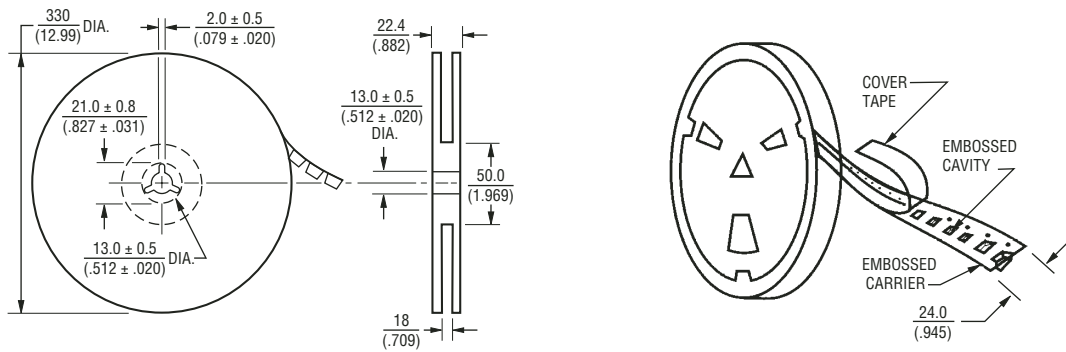
DIMENSIONS: $\frac{\text{MM}}{\text{(INCHES)}}$

*RoHS Directive 2002/95/EC Jan 27 2003 including Annex
 Specifications are subject to change without notice.
 Customers should verify actual device performance in their specific applications.

SRU8028 Series - Shielded SMD Power Inductors

BOURNS®

Packaging Specifications



USER DIRECTION OF FEED

QTY: 1,500 PCS. PER REEL

DIMENSIONS: $\frac{\text{MM}}{\text{(INCHES)}}$

REV. 08/08

Specifications are subject to change without notice.
Customers should verify actual device performance in their specific applications.