



Features

- Available in E6 series
- Unit height of 2.8 mm
- Current up to 7 A
- Lead free
- RoHS compliant*

Applications

- Input/output of DC/DC converters
- Power supplies for:
 - Portable communication equipment
 - Camcorders
 - LCD TVs
 - Car radios

BOURNS®

SRU1028 Series - Shielded SMD Power Inductors

Electrical Specifications

Bourns Part No.	Inductance 100 KHz		Q Ref.	Test Frequency (MHz)	SRF Min. (MHz)	RDC (mΩ)	I rms Max. (A)	I sat Typ. (A)
	(μH)	Tol. %						
SRU1028-1R0Y	1.0	± 30	14	7.96	100.0	4.9	7.00	8.00
SRU1028-1R5Y	1.5	± 30	12	7.96	80.0	7.3	6.50	6.50
SRU1028-2R2Y	2.2	± 30	12	7.96	65.0	11	5.30	4.80
SRU1028-3R3Y	3.3	± 30	14	7.96	55.0	15	4.60	4.30
SRU1028-4R7Y	4.7	± 30	12	7.96	40.0	16	4.50	3.80
SRU1028-6R8Y	6.8	± 30	12	7.96	30.0	25	3.50	3.00
SRU1028-8R2Y	8.2	± 30	12	7.96	28.0	28	3.30	2.70
SRU1028-100Y	10.0	± 30	20	7.96	25.0	40	2.80	2.40
SRU1028-120Y	12.0	± 30	22	2.52	23.0	70	2.40	2.30
SRU1028-150Y	15.0	± 30	26	2.52	22.0	69	2.00	2.00
SRU1028-220Y	22.0	± 30	26	2.52	16.0	104	1.60	1.40
SRU1028-330Y	33.0	± 30	24	2.52	12.0	139	1.25	1.20
SRU1028-470Y	47.0	± 30	20	2.52	11.0	167	1.30	1.10
SRU1028-560Y	56.0	± 30	22	2.52	10.0	208	1.10	1.00
SRU1028-680Y	68.0	± 30	20	2.52	9.0	232	1.00	0.90
SRU1028-820Y	82.0	± 30	20	2.52	8.0	323	0.90	0.85
SRU1028-101Y	100.0	± 30	20	0.796	7.0	365	0.85	0.80
SRU1028-121Y	120.0	± 30	18	0.796	6.0	428	0.65	0.70
SRU1028-151Y	150.0	± 30	18	0.796	5.0	518	0.70	0.65

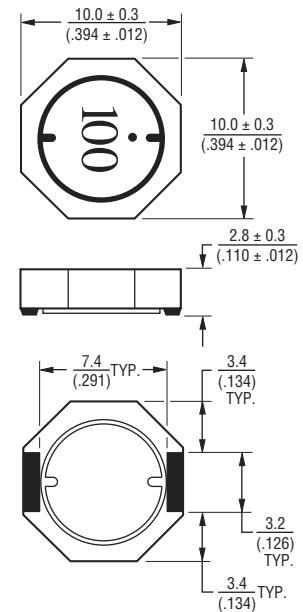
General Specifications

Test Voltage.....1 V
 Reflow Soldering ...230 °C, 50 sec. max.
 Operating Temperature -40 °C to +125 °C
 (Temperature rise included)
 Storage Temperature..-40 °C to +125 °C
 Resistance to Soldering Heat
260 °C for 10 sec.

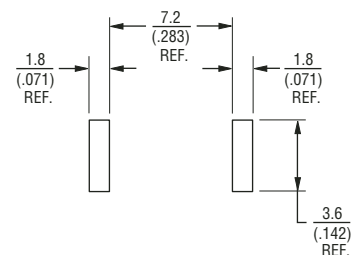
Materials

Core.....Ferrite DR and RI core
 Wire.....Enamelled copper
 Base.....LCP E4008
 Terminal.....Ag/Ni/Sn
 Rated Current
Ind. drop 35 % typ. at Isat
 Temperature Rise
40 °C max. at rated I_{rms}
 Packaging.....1,000 pcs. per reel

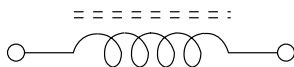
Product Dimensions



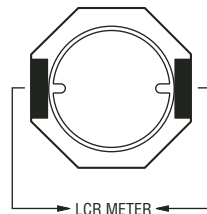
Recommended Layout



Electrical Schematic



Inductor Connection



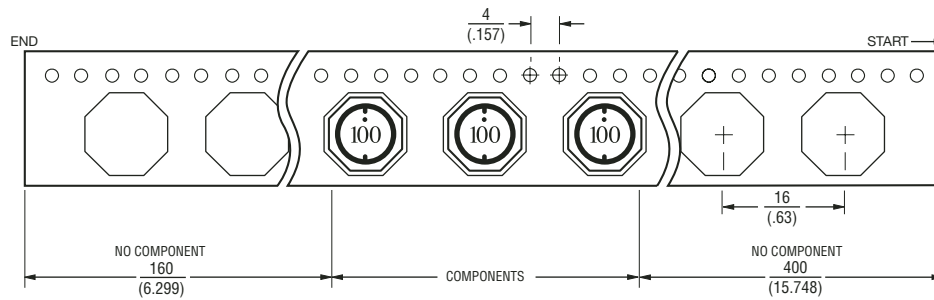
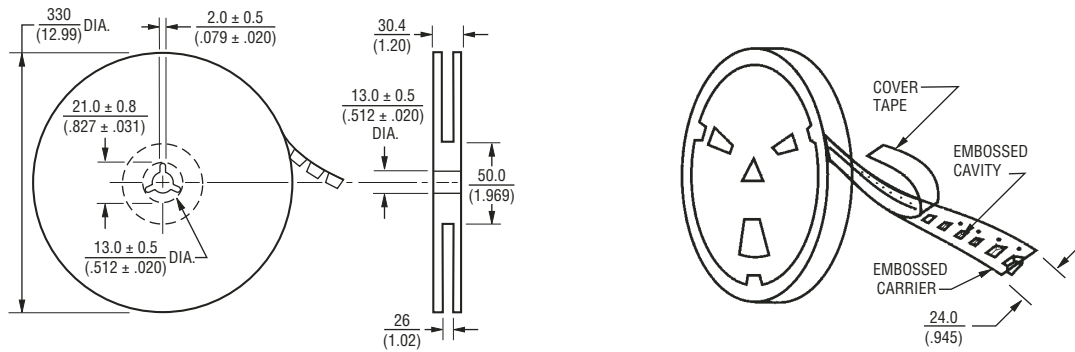
DIMENSIONS: $\frac{\text{MM}}{\text{(INCHES)}}$

*RoHS Directive 2002/95/EC Jan 27 2003 including Annex
 Specifications are subject to change without notice.
 Customers should verify actual device performance in their specific applications.

SRU1028 Series - Shielded SMD Power Inductors

BOURNS®

Packaging Specifications



USER DIRECTION OF FEED →

QTY: 1,000 PCS. PER REEL

DIMENSIONS: $\frac{\text{MM}}{\text{(INCHES)}}$

REV. 08/08

Specifications are subject to change without notice.
Customers should verify actual device performance in their specific applications.