

Φ5 High Intensity LED Lamp

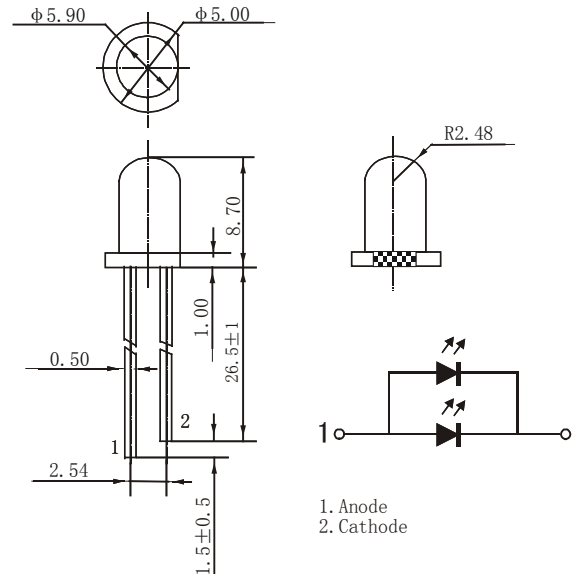
Features

- Φ5.0 LED in transparent resin encapsulation
- High brightness, long life, energy saving
- Wide range working electricity
- For all kinds of lighting application

Package Dimensions

Absolute Maximum Ratings (Ta=25°C)

Parameter	Symbol	Value	Unit
Continuous forward current	I _{FM}	40	mA
Reverse voltage	V _{RM}	5.0	V
Peak forward current	I _{RM}	10	μ A
Power dissipation	P _D	500	mW
Operating temperature range	T _{OPR}	-40 ~ +70	°C
Storage temperature range	T _{STG}	-40 ~ +100	°C
Lead soldering temperature	T _{SLD}	260 (5s)	°C



Electrical Optical Characteristics: (Ta=25°C, I_F=40mA)

Part No	Emitting Color	Lens Color	wavelength λ_D (nm)		Forward voltage (V)	Luminous intensity I _V (mcd)	Reverse current I _R (μ A)	Viewing angle 2θ 1/2
			Min.	Max.				
5W4HCA-H	White	Water Clear	---	---	3.0-3.8	15000	≤10	60°

