

# 宁波天波港联电子有限公司

## NINGBO TIANBO GANGLIAN ELECTRONICS CO.,LTD

### HJR-3FF 技术指标

文件编号:

SPECIFICATION

FILE NUMBER: P-08KB201A

DATE: 2001/11/02

#### ■ CONTACT DATA 触点参数

Contact Form 触点形式	1A/1C	
Contact Material 触点材料	Silver Alloy	
Contact Ratings 触点负载	1A:10A 240VAC, 15A 125VAC 12A 120VAC/24VDC	1C: 7A 240VAC/10A 120VAC/24VDC 15A 125VAC
Max Switching Voltage 最大转换电压	250VAC/30VDC	
Max Switching Current 最大转换电流	15A	
Max Switching Power 最大转换功率	2770VA/240W	
Contact Resistance 接触电阻	100m $\Omega$ Max	at 6VDC 1A
Life Expectancy Electrical 电气寿命	100,000	Operations(at30Operations/minute)
Machanical 机械寿命	10,000,000	Operations

#### ■ GENERAL DATA 一般参数

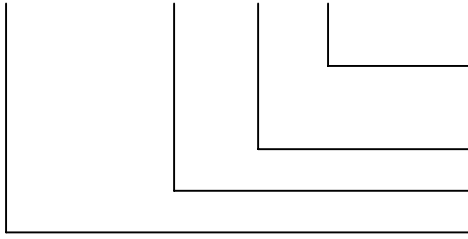
Insulation Resistance 绝缘阻值	100M $\Omega$ Min at 500VDC	
Dielectric Strength Between Open Contacts 触点间耐压	750VAC(for one minute)	
Between Contacts and coil 触点与线圈间耐压	1500VAC(for one minute)	
Operate Time 吸合时间	10ms	
Release Time 释放时间	5ms	
Temperature Range 环境温度	-40 $^{\circ}$ C to +85 $^{\circ}$ C (105 $^{\circ}$ C)	
Shock Resistance 冲击	Operating Extremes 动作极限	10G
	Damage Limits 破坏极限	100G
Vibration Resistance 振动	10-50Hz 1.5mm	
Humidity 湿度	40—85%	
Weight 重量	Approx 10g	
Safety Standard 安全标准	UL CUL TUV CQC	

#### ■ COIL DATA 线圈参数

Nominal Voltage 额定电压 (VDC)	Coil Resistance at 20 $^{\circ}$ C $\pm$ 10% ( $\Omega$ ) 线圈阻值		Max Operate Voltage 最大吸合电压 VDC	Min Release Voltage 最小释放电压 VDC	Max Applicable Voltage 最大过载电压 VDC
	0.36W	0.45W			
3	25 $\Omega$		2.25	0.3	3.9
5	70 $\Omega$		3.75	0.5	6.5
6	100 $\Omega$		4.5	0.6	7.8
9	225 $\Omega$		6.75	0.9	11.7
12	400 $\Omega$		9	1.2	15.6
18	900 $\Omega$		13.5	1.8	23.4
24	1600 $\Omega$		18	2.4	31.2
48	6400 $\Omega$ $\pm$ 15%	5100 $\Omega$ $\pm$ 15%	36	4.8	62.4

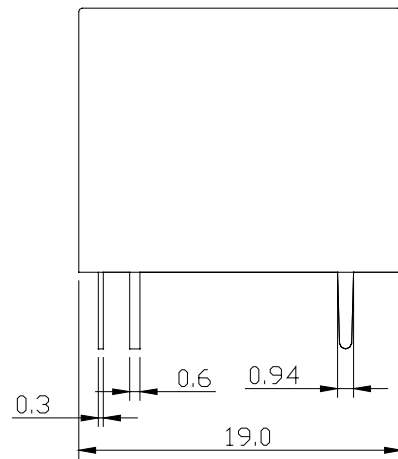
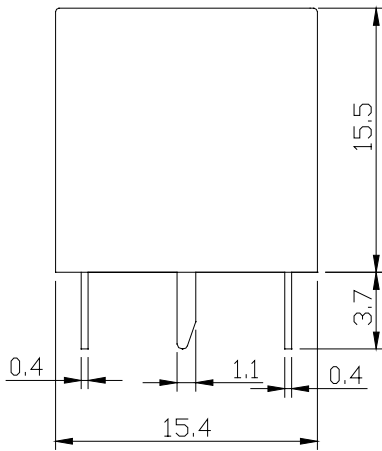
## ORDERING CODE 订购代码

HJR-3FF—12VDC—S—Z

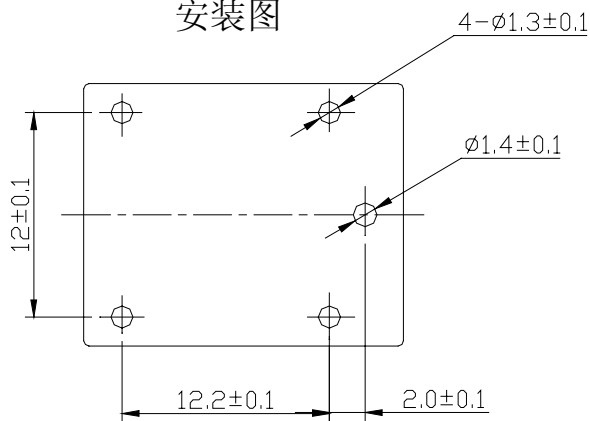


Z Form C 触点转换形式  
 H Form A  
 Sealed 密封  
 Coil Nominal Voltage 线圈额定电压  
 Relay Model 继电器型号

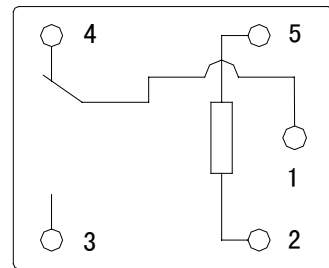
## OVERALL AND MOUNTING DIMENSIONS 安装图



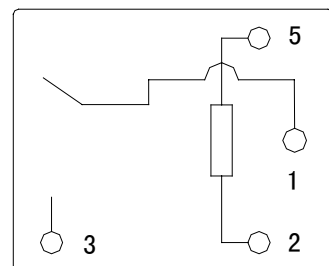
安装图



接线图



Form C



Form A