

JRC-23F

SUBMINIATURE SIGNAL RELAY



File No.:E133481



File No.:CQC02001001948



Features

- High sensitivity :150 mW
- 1 pole configuration
- Sealed type available

CONTACT DATA

| | |
|----------------------------|------------------------------------|
| Contact Arrangement | 1C |
| Initial Contact Resistance | 100mΩ (at 1A 6VDC) |
| Contact Material | AgNi +Au clad |
| Contact Rating (Res. Load) | 0.3A 60VAC/0.5A 125VAC/1A 30VDC |
| Max. switching voltage | 125VAC/60VDC |
| Max. switching current | 2A |
| Max. switching power | 62.5VA/30W |
| Mechanical life | 1x10 ⁷ OPS (300OPS/min) |
| Electrical life | 1x10 ⁹ OPS (30OPS/min) |

CHARACTERISTICS

| | | |
|----------------------------------|---------------------------|--------------|
| Initial Insulation Resistance | 1000MΩ 500VDC | |
| Dielectric Strength | Between coil and Contacts | 1000VAC 1min |
| | Between open contacts | 400VAC 1min |
| Operate time (at nomi. Volt.) | 5ms | |
| Release time (at nomi. Volt.) | 5ms | |
| Bounce time (at nomi.Volt.) | 5ms | |
| Temperature rise (at nomi.Volt.) | Max. 55°C | |
| Shock Resistance | 100m/s ² | |
| Vibration Resistance | 10 to 55Hz 3.3mm | |
| Humidity | 35% to 85% | |
| Ambient temperature | -30 °C to +70 °C | |
| Unit weight | 2.2g | |
| Termination | PCB | |
| Construction | Sealed | |

COIL

| | | |
|------------|-----------------|---------------|
| Coil power | Sensitive:0.15W | Standard:0.2W |
|------------|-----------------|---------------|

COIL DATA

Standard Type

| Nominal Voltage VDC | Pick-up Voltage VDC | Drop-out Voltage VDC | Coil Current mA | Coil Resistance (at 20 °C) Ω |
|---------------------|---------------------|----------------------|-----------------|------------------------------|
| 1.5 | 1.20 | 0.15 | 132.7 | 11.3±10% |
| 3 | 2.40 | 0.30 | 66.7 | 45±10% |
| 5 | 4.00 | 0.50 | 40.0 | 125±10% |
| 6 | 4.80 | 0.60 | 33.3 | 180±10% |
| 9 | 7.20 | 0.90 | 22.2 | 405±10% |
| 12 | 9.60 | 1.20 | 16.7 | 720±10% |
| 24 | 19.20 | 2.40 | 8.33 | 2880±15% |

Sensitive Type

| Nominal Voltage VDC | Pick-up Voltage VDC | Drop-out Voltage VDC | Coil Current mA | Coil Resistance (at 20 °C) Ω |
|---------------------|---------------------|----------------------|-----------------|------------------------------|
| 1.5 | 1.20 | 0.15 | 100 | 15±10% |
| 3 | 2.40 | 0.30 | 50.0 | 60±10% |
| 5 | 4.00 | 0.50 | 29.9 | 167±10% |
| 6 | 4.80 | 0.60 | 25.0 | 240±10% |
| 9 | 7.20 | 0.90 | 16.7 | 540±10% |
| 12 | 9.60 | 1.20 | 12.5 | 960±10% |
| 24 | 19.20 | 2.40 | 6.25 | 3840±15% |

Max Allowable Coil Voltage:160% Nominal Voltage at 60 °C,
150% Nominal Voltage at 70 °C

SAFETY APPROVAL RATINGS

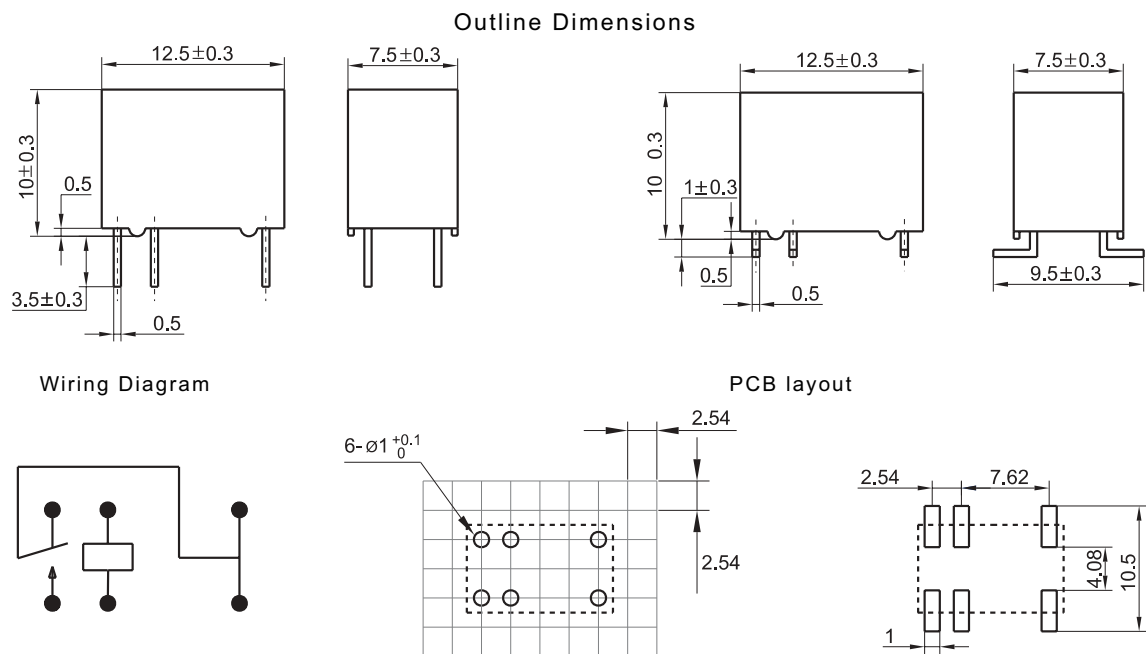
| | |
|----|---|
| UL | 1.0A 30VDC 0.3A 60VDC 0.5A 125VAC |
|----|---|



ORDERING INFORMATION

| | | | |
|---------------------|---|----|---|
| Type | JRC-23F / 012 | 1Z | S |
| Coil voltage | 1.5, 3, 5, 6, 9, 12, 24VDC | | |
| Contact arrangement | 1Z:1C (SPDT) | | |
| Coil power | S: Sensitive type (0.15W) P: Standard type (0.20W) | | |

OUTLINE DIMENSIONS, WIRING DIAGRAM AND PC BOARD LAYOUT



CHARACTERISTICS CURVE

