

认证号:02001001953

Features

- Switching Capacity Up To 45 A
- SPST-NO & SPDT Contact Arrangement
- PC Board Terminals
- Two pinnig out choices
- Available as open frame or sealed relay
- Extended Temperature range:-40°C to +125°C

CONTACT DATA

Contact Arrangement	1A, 1C
Max. switching current	60A(Inrush Current:100A) ⁽¹⁾
Max. switching voltage	75VDC
Contact Rating	1A: 45A 14VDC 1C: 45A(NO) / 30A(NC) 14VDC
Max. switching power	630W
Contact Material	AgNi, AgSnO
Initial Contact Resistance	100mΩ
Mechanical life	1 x 10 ⁷ ops
Electrical life	1x 10 ⁵ ops

COIL

Coil power	1.2W to 1.6W
------------	--------------

COIL DATA

Standard Type

Nominal Voltage VDC	Pick-up Voltage VDC	Drop-out Voltage VDC	Allowable Overdrive VDC		Coil Resistance Ω
			23°C	85°C	
6	3.3	0.6	9.0	6.5	19
12	6.8	1.2	19.6	14.3	90
24	13.9	2.4	39.3	28.6	362

Sensitive Type

Nominal Voltage VDC	Pick-up Voltage VDC	Drop-out Voltage VDC	Allowable Overdrive VDC		Coil Resistance Ω
			23°C	85°C	
6	4.5	0.6	11	8.0	30
12	9.0	1.2	22.1	16.2	120
24	19.2	2.4	44.3	32	480

Note (1) : Inrush current for lamp load

CHARACTERISTICS

Initial Insulation Resistance	500MΩ, 500VDC
Dielectric Strength	500Vrms
Operate time (at nomi. Volt.)	5ms
Release time (at nomi. Volt.)	3ms
Power Consumption	1.6W/1.2W
Destructive	1.27mm, 10 to 40Hz; 40 to 70Hz 50m/s ²
	0.5mm, 70 to 100Hz; 100 to 500Hz 100m/s ²
Shock Resistance	200 m/s ²
Storage Temperature	-40°C to +155°C
Ambient temperature	-40°C to +125°C
Unit weight	20g
Termination	PCB
Construction	Sealed / Open Frame

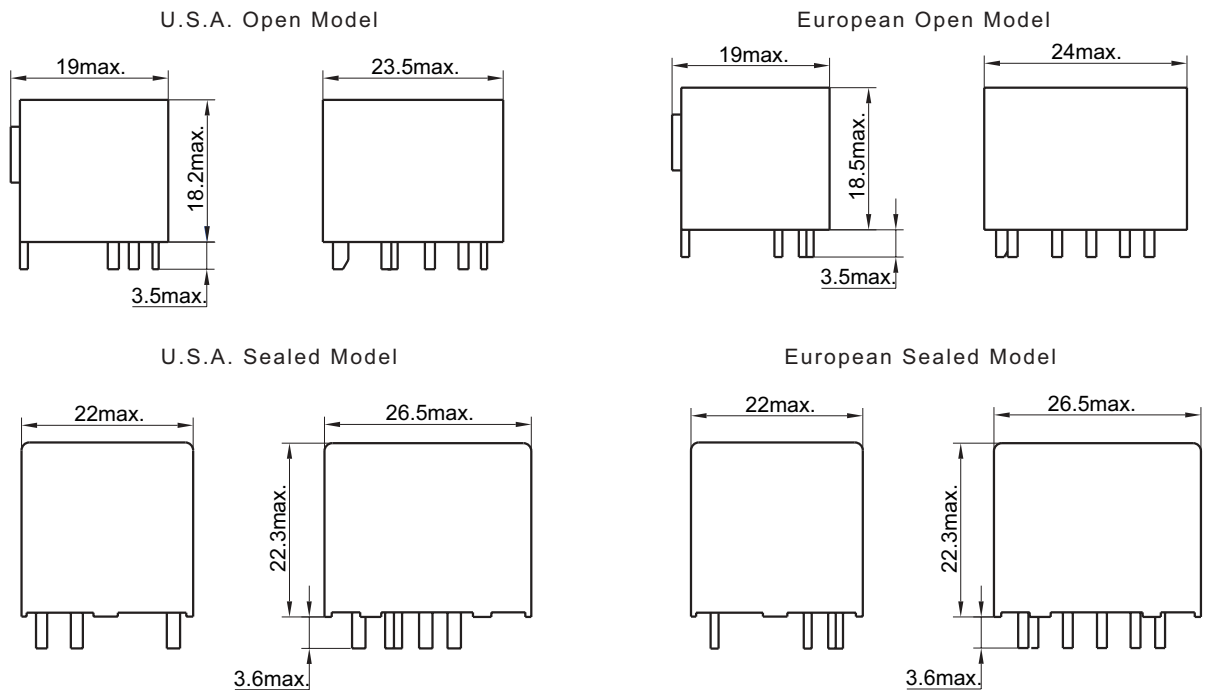


ORDERING INFORMATION

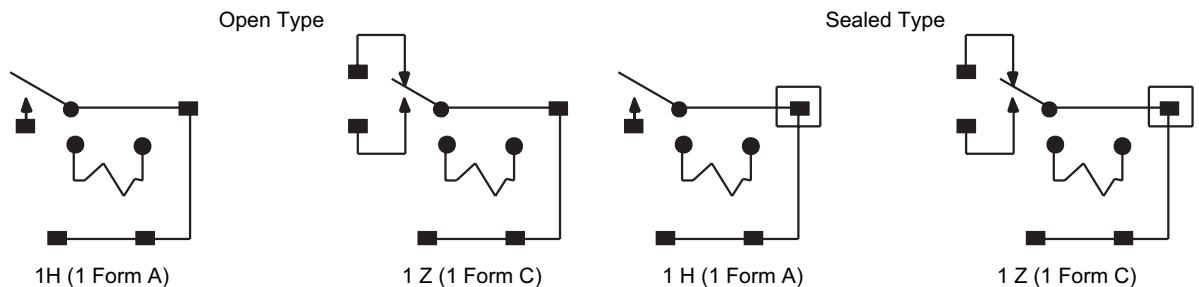
Type	HFKP /	012	1H	1	T	S
Coil voltage	DC:6, 12, 24VDC					
Contact arrangement	1H:1 Form A 1Z:1 Form C					
Version	1: U.S.A. Open Model 2: U.S.A. Sealed Model 3: European Open Model 4: European Sealed Model 5: U.S.A. Sealed Model, 3yoke terminals 6: European Sealed Model, 3yoke terminals					
Contact Material	T: AgSnO _{11.7} Nil:AgNi _{0.15}					
Coil Power	S: 1.2W Nil:1.6W					

OUTLINE DIMENSIONS, WIRING DIAGRAM AND PC BOARD LAYOUT

Outline Dimensions

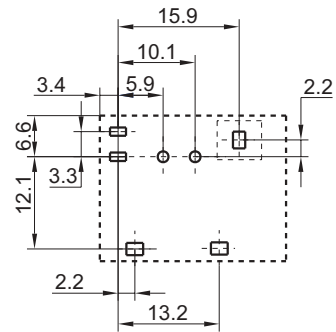
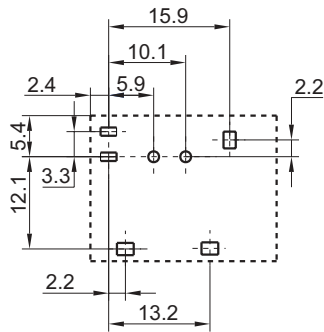
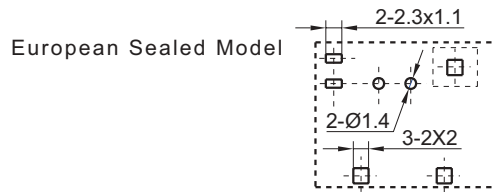
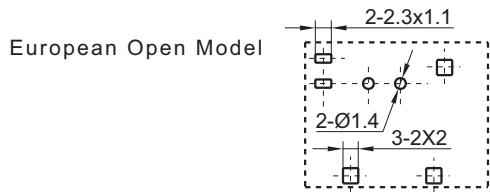
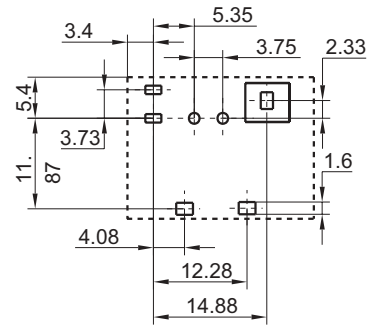
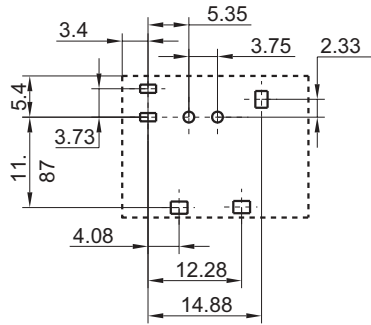
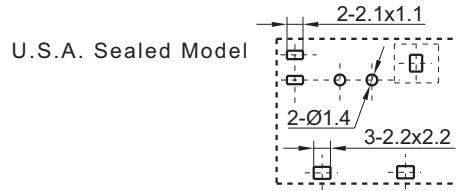
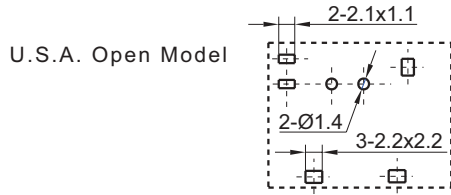


Wiring Diagram



OUTLINE DIMENSIONS, WIRING DIAGRAM AND PC BOARD LAYOUT

PC Board Layout



Notes: Order Designation Version 5 and 6: with the 3rd yoke terminal showed broken lines.

CHARACTERISTICS CURVE

