



Features

- 25A motor lock load
- Extremely small relay
- SPDT contracts
- Power windows, door locks and wiper applications

CONTACT DATA

| | |
|---------------------------------|------------------------------|
| Contact Arrangement | 1C |
| Initial contact resistance Max. | 250mV (at 10A) |
| Contact Material | AgSnO |
| Contact Rating | 25A motor lock 30A Inrush |
| Max. switching current | 30A |
| Max. switching voltage | 16VDC |
| Mechanical life | 1 x 10 ⁶ OPS |
| Electrical life | 1 x 10 ⁵ OPS |

COIL

| | |
|------------|------------|
| Coil power | 0.64W/0.8W |
|------------|------------|

COIL DATA

| Type | Nominal Voltage VDC | Pick-up Voltage VDC | Drop-out Voltage VDC | Coil Resistance Ω |
|--------|---------------------|---------------------|----------------------|--------------------------|
| -1ZST | 12 | 7.2 | 1.0 | 225 \pm 10% |
| -1ZSPT | 12 | 6.5 | 1.0 | 180 \pm 10% |

CHARACTERISTICS

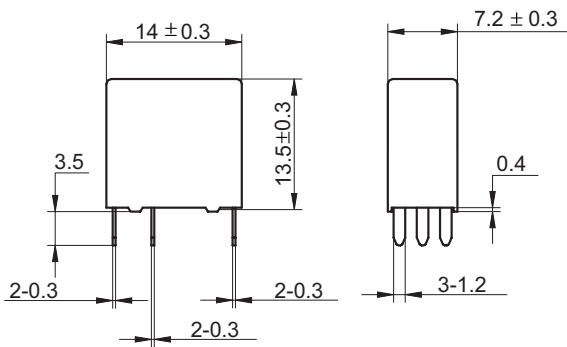
| | | |
|-------------------------------|-----------------------------------|----------------------|
| Initial Insulation Resistance | 100M Ω | |
| Dielectric Strength | Between coil and Contacts | 500Vrms. |
| | Between open contacts | 500Vrms. |
| Shock Resistance | Functional | 100 m/s ² |
| | Destructive | 1000m/s ² |
| Vibration Resistance | 50 m/s ² , 10 to 500Hz | |
| Ambient temperature | -40°C to +85°C | |
| Termination | PCB | |
| Unit weight | Approx. 4.1g | |
| Construction | Sealed Version | |



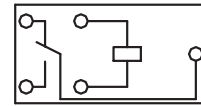
ORDERING INFORMATION

| | |
|-------------------------------|--------------------------------------|
| Type | HFKA / 012 1Z S P T XXX |
| Coil voltage | 12VDC |
| Contact arrangement | 1 Form C |
| Structure | S: Sealed |
| Coil power | P: low pick up voltage Nil: standard |
| Contact Material | T: AgSnO |
| Customer special request code | |

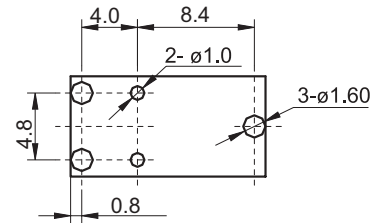
Outline
Dimensions



Wiring Diagram
(Bottom View)

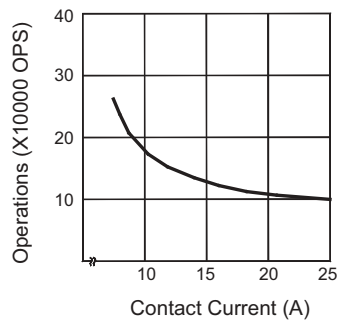


PCB Layout
(Bottom View)



CHARACTERISTICS CURVE

Life curve



Coil Temperature Rise

